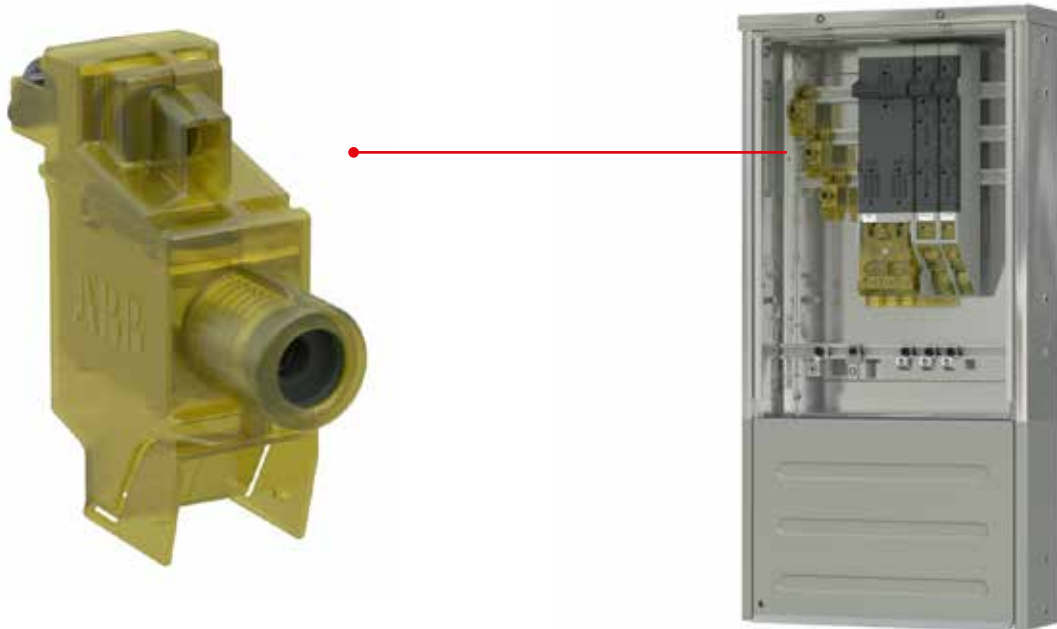


The art of connection

Kabeldon busbar connectors

ABB busbar connectors are expertly engineered to ensure safety, usability and continuous operation. Developed to meet customer needs, they make installation easier and more efficient, and they are thoroughly tested to comply with international standards.



Engineered for usability

The connectors have been designed for easier cabling and visual inspection of connections. The cabling space has been increased and the tightening torque has been harmonized. This speeds installation up and expands the areas of application.



Tested for reliability

The connectors have been tested according to IEC 61238-1-1 class A. The design includes qualitative pressure part and contact grease for improved connection reliability.



Safety as standard

The connectors enable an even safer installation thanks to the high quality busbar screw connection and full IP20X protection. Production information markings are available for easy available mounting guidelines.

The art of connection

Expertly engineered to ensure safety, usability and continuous operation



Error-proof installation

New busbar connection with profile screw indication



Speed up installation

Harmonized torque for faster and simplified installation



Reliable connection

Tested according to IEC 61238-1-1 Class A to secure qualitative connection over time. A high quality pressure part and contact grease are included to ensure a reliable connection.



Safety as standard

Full IP20 protection and markings for mounting guidelines



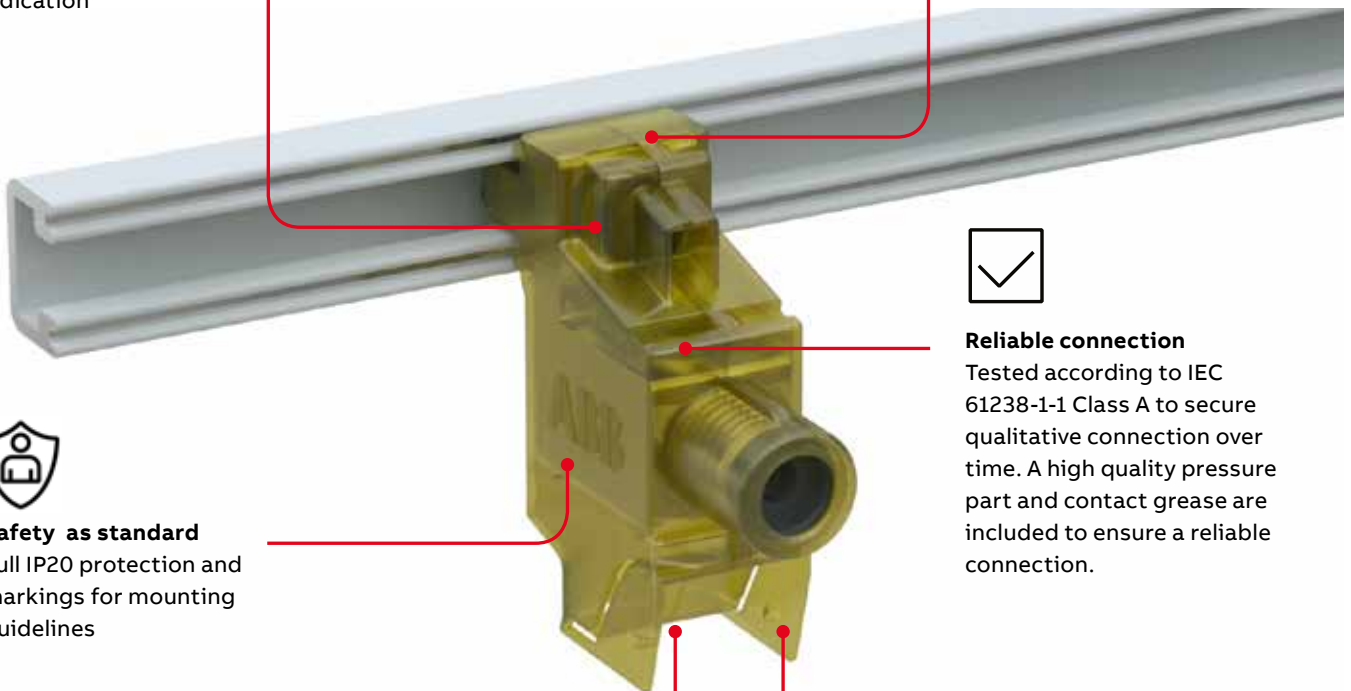
Easier cabling

Improved cable range and space for cabling



Easier inspection

Transparent plastic for improved visibility



Ordering information busbar connectors

Order code	Type	Cable area	Rated operational current	Width M=12,5 mm	Torque to busbar (Nm)	Torque to cable connection (Nm)		
		Cu/Al [mm ²]				1,5-16 mm ²	25-95 mm ²	120-300 mm ²
Insulated connector for mounting on Kabeldon busbar								
2CGD000503A1000	ADI 300	50-300	630A	3	20	-	20	35
2CGD000499A1000	ADI 95	1,5-95	250A	2	20	10	20	-
Uninsulated connector for mounting on PEN/PE Kabeldon busbar								
2CGD000502A1000	ADU 300	50-300	630A	3	20	-	20	35
2CGD000498A1000	ADU 95	1,5-95	250A	2	20	10	20	-

Outgoing products		New	
AD 300	6303.0195.0	ADI 300	2CGD000503A1000
AD 95	6303.0249.1	ADI 95	2CGD000499A1000
AD 70	6303.0038.0	ADU 95	2CGD000498A1000