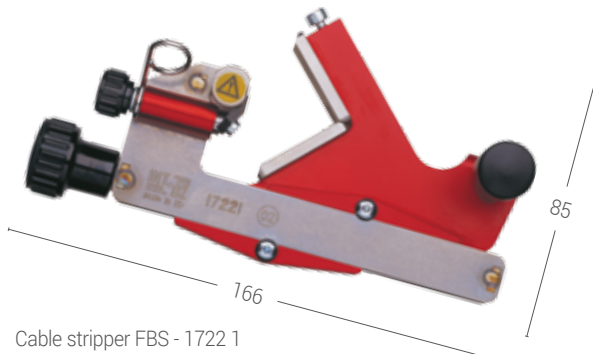


STRIPPING TOOLS FOR SEMICONDUCTOR



Norm: EN10020



Cable stripper FBS - 1722 1



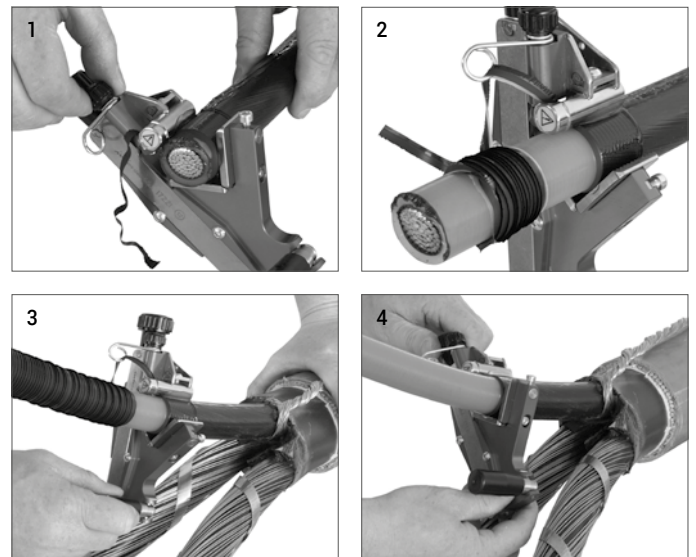
FBS-Set - 1722 0

FBS - Cable Stripper for Vulcanized Semiconductive Layer

APPLICATION RANGE	Ø 10 - 52 mm
INSULATION THICKNESS	0 - 1,5 mm
SUGGESTED APPLICATION	Vulcanized, extruded, bonded semiconductive layer

Technical Characteristics:

- Positioning on the cable like a vice system
- Axial feed activation/deactivation device / both directions:
The stripping operation can be done by starting from outside of the cable (as shown on pictures: 25 mm of semicon layer will not be stripped) or from inside to outside (about 6 mm of semicon layer will be left over)
- Stripping can be done starting from any position on the cable
- Max. rotating diameter 200 mm
- Interchangeable blade



- REDUCED ROTATION ENABLES TO WORK ON LIMITED SPACE
- PERFECT CIRCULAR CUT
- STEP BY STEP DEPTH ADJUSTEMENT (WITH LOCKING POSSIBILITY)

Description	Order No.	Dimensions (LxWxH)	Weight
Set: FBS	1722 0	235 x 200 x 55 mm	800 g
Spare blade 17"	1714 2	-	-
Spare parts kit (2x plates, 1x roll, suitable screws)	1714 5	-	-

Attention: not suitable for work under voltage

SET Equipment:

- FBS - cable stripper 1722 1
- 2,5 mm Allen wrench 1710 0
- Tube of silicone grease AG1013
- Rigid plastic case AB17220